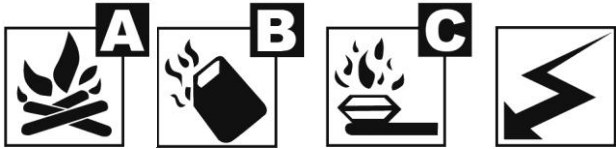


BRITANNIA MARINE

Premier Cartridge Operated Extinguisher

BA9MED – ABC Dry Powder



ABC powder is a combination of Mono-ammonium phosphate and ammonium sulphate.

On B class fires the extinguishing powder interferes with the chemical reactions that take place in the combustion zone, thus the flame ceases to exist. The powder also has a low melting point and on A class fires the particles fuse and swell to form a barrier which excludes oxygen and completes the extinguishing process and prevents re-ignition.

The powder is non conductive and may be used in the presence of an electric current.

ABC powder will extinguish class A (carbonaceous) fires, class B (flammable liquid) fires and class C (flammable gas) fires.

Features

- ❖ Approved and certified to BS EN3
- ❖ Kite-marked product
- ❖ CE-marked in accordance with the PED
- ❖ Approved by the European Marine Equipment Directive (Wheel-marked)
- ❖ Patented balance valve for ultimate fluidization of compacted powder ensuring complete discharge
- ❖ Diecast zinc colour coded headcap
- ❖ Large neck ring enables servicing and refilling to be conducted with ease
- ❖ Quality assured for long service life
- ❖ Manufactured in Great Britain



Technical Specification

Model	Capacity (Kg)	Fire Rating	Full Weight (Kgs)	Temp Range	Operating Pressure (Bar) @ 20°C	Discharge Duration (Secs)	Discharge Range (M)	Diameter (mm)	Height (mm)
BA9MED	9	34A/233B	15.4	-20° to + 60°C	12	26	7	190	570

Britannia Fire reserve the right to alter the specification of the product without prior notice



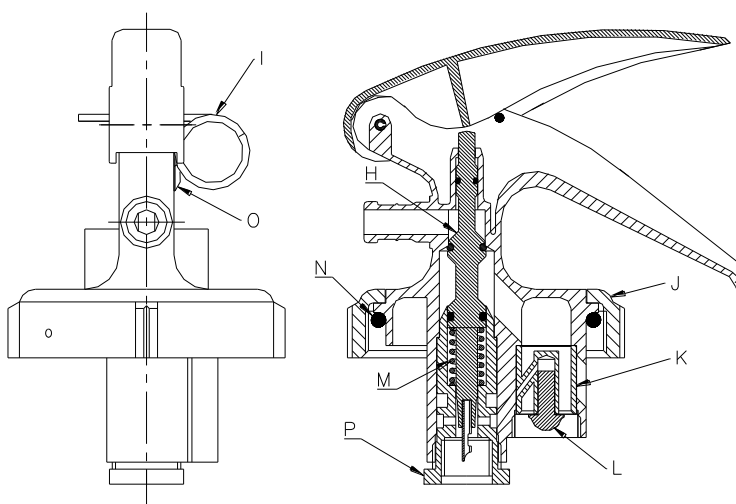
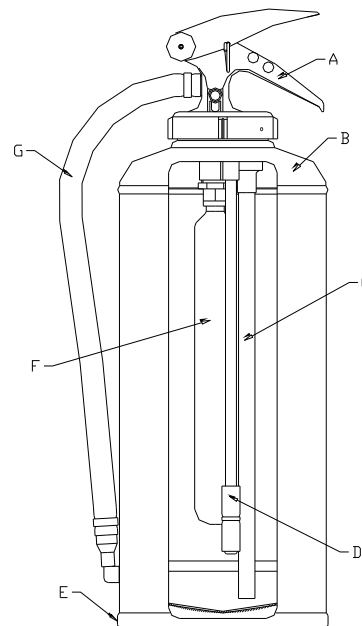
Tel +44 (0)1508 488416
www.Britannia-Fire.co.uk

ADDITIONAL SPECIFICATIONS

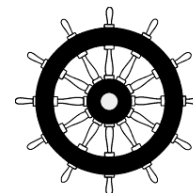
Gas Cartridge	150gram CO ²
Operating Pressure @ 20°C	12bar
Test Pressure (PT)	26bar
Maximum Allowable Pressure (PS)	18bar
Minimum Burst Pressure	55bar
Cylinder Material	1.6mm Thick Mild steel to EN 10111 - DD12
Operating Head material	Zinc Alloy to EN 1774 - ZnA14 (ZL3)
Hose	EPDM Synthetic rubber
Finish	Polyester Powder Paint

COMPONENT PARTS

ITEM	DESCRIPTION	PART No.
A	Headcap Assy	BRH0030B
B	Welded Body Assy	BODYL
C	Syphon Tube Assy	BR0407
D	Gas Tube Assy	BR0492
E	Skirt Ring	BRH0460
F	Cartridge	C150
G	Hose Assy	BR0495
H	Valve Control Spindle Assy	BRH0400
I	Safety Pin	BRH0180
J	Nutring	BRH0105
K	Balance Valve Holder	BRH0130
L	Balance Valve	BRH0140
M	Spring	BRH0200
N	O Ring	BRH0230
O	Service Indicator Stud	BRH0185
P	Control Spindle Insert	BRH0120
-	Pull Tight Seal (not shown)	BRH0175
-	Wall Bracket (not shown)	BRH0195
-	Transport Brkt & Strap (not shown)	BRH0310
-	9kg ABC Powder Pack (not shown)	PA9
-	Tool Kit (C & Ring spanners)	TK100



HEADCAP GENERAL ASSEMBLY



0086



LICENCE NO. KM 6832



0086



Britannia Fire Ltd

Ashwellthorpe Industrial Estate, Ashwellthorpe, Norwich, NR16 1ER, ENGLAND

Tel: +44 (0)1508 488416 Fax: +44 (0)1508 481753

www.britannia-fire.co.uk